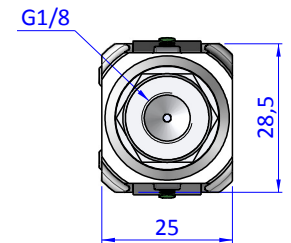
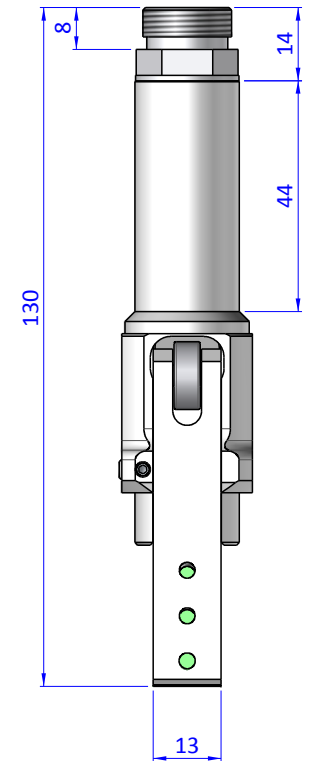
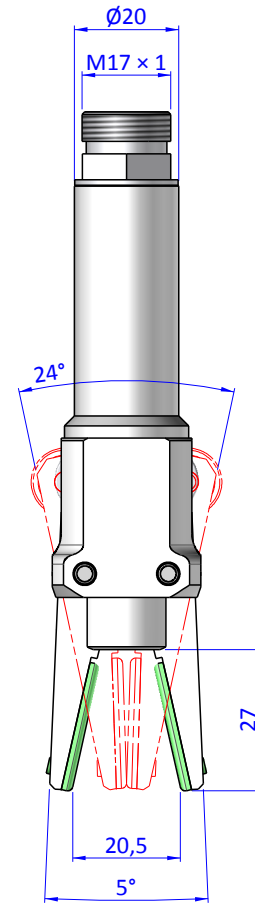
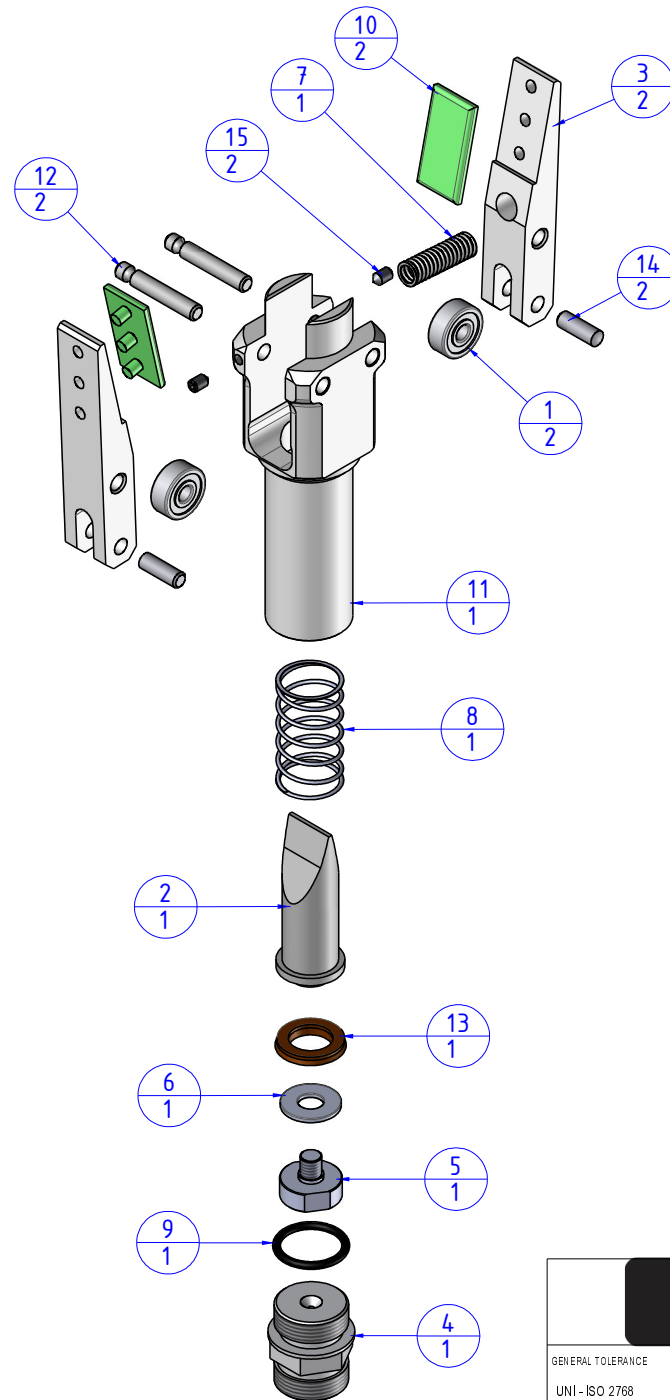


THE PROPERTY OF THE DRAWING IS ESTABLISHED BY LAW. IT IS FORBIDDEN TO PRODUCE OR SHOW IT TO THIRD PARTY WITHOUT A WRITTEN AGREEMENT.

Item	Name	Qty.
1	CUS.624.ZZ	2
2	DD.20.05	1
3	DD.20.16P.02	2
4	GRF20.95.01	1
5	GRF20.95.03.2	1
6	GRF20.95.10	1
7	M.6X35	1
8	M.GRF.2095.1	1
9	OR.2056	1
10	PAC.20.16P.03.V	2
11	PAC.2016.1	1
12	PAC.2016.5	2
13	PSP.1610255	1
14	SP.4x12M6	2
15	V.STM3X5	2



Format A3

UNI 936-76

		DESIGNED FROM	REVIEW
		FP SERVICES	A
GENERAL TOLERANCE	DESCRIPTION	DATE	WEIGHT
UNI - ISO 2768	CA.PAC20.16P	08/03/2019	0,107kg
CLASSE f		CODE	CA.PAC20.16P